

FEDERATION CYNOLOGIQUE INTERNATIONALE (FCI) (AISBL)

Place Albert 1er, 13, B - 6530 Thuin (Belgique) Tél : ++32.71.59.12.38 – Fax : ++32.71.59.22.29, internet: <http://www.fci.be>

GENERAL REGULATIONS FOR

PARTICIPATION IN OBEDIENCE TRIALS

AND COMPETITIONS IN

THE INTERNATIONAL OBEDIENCE CLASS

WITH C.A.C.I.OB

Effective 1.1.2011 - 31.12.2015

CONTENTS

I	Rules on participation, management and judging	p. 2
II	Practical arrangements and equipment	p. 6
III	Awards	p. 7
IV	Exercises and coefficients	p. 8
V	General regulations and directions for performing and judging the exercises	p. 9
VI	Description of the exercises in the international obedience class, guidelines for performance and judging	p. 14
VII	Arranging and judging FCI Section and World Winner Obedience competitions	p. 25

Obedience (OB) training teaches a dog how to act in a co-operative and controlled way. Emphasis should be put on establishing good contact between the dog and the handler and on achieving the dog's willingness to obey even when at distance from the handler. Handler and dog should display a good overall relationship.

I RULES ON PARTICIPATION, MANAGEMENT AND JUDGING

1. Eligibility to participate in an international obedience class

To participate in an international obedience competition, or in a Section Winner (SW) or World Winner (WW) championship, it is required that the dog be at least 15 months of age and registered in a studbook or appendix to a studbook recognised by the FCI. Dogs registered with AKC, KC or CKC are allowed to participate but are not eligible for the CACIOB

It is up to every country to decide what national obedience classes are recognised and what requirements need to be fulfilled before a dog is allowed to compete in an international obedience class. To participate in an international obedience competition, however, the handler and the dog together should at least once have passed the previous highest obedience class in their own country.

If an obedience competition is arranged in association with a dog show, it is not necessary that the dog is entered in the dog show.

Dogs that suffer from contagious diseases or have hookworms, scabies or any other vermin, or dogs that are aggressive, blind or deaf may not participate in international obedience competitions.

Dogs with docked tails or cropped ears are to be admitted in accordance with the legal regulations of their home countries and those of the country where the competition takes place.

Bitches in heat are allowed to compete, but must perform last. They must be kept off the competition premises and nearby surroundings until all other dogs have completed their exercises.

Bitches that have given birth less than eight weeks before the competition date and bitches expected to give birth within four weeks must be excluded.

If necessary, the judge should check the dogs outside the ring before the start of the competition. National rules can require that all dogs are checked.

2. Eligibility to judge international obedience competitions

Judges for obedience competitions should be licensed by the kennel club of their own country.

Ineligibility due to the likelihood of bias

Judges are not permitted to judge family members as handlers, or dogs owned by themselves, family members or relatives such as children, parents, grandparents, grandchildren, brothers, sisters or in-laws. Neither are they allowed to judge household members or residents of their household.

A dog may not enter a competition if the judge of the competition has bred the dog or had the dog for training or if the dog has been living in the same household within one year of the competition.

In case of an SW / WW competition, it is recommended that another judge should be invited if there is the possibility of ineligibility. It is usually a unique opportunity to compete for a World Championship / Section Championship and this should thus be promoted.

3. Chief steward

A chief steward must be appointed for the competition. The chief steward must have the appropriate qualifications. If competitors from abroad enter the competition, the steward must be able to conduct the exercises in English or a language mutually agreed upon.

If the exercises are divided to be judged by two or more judges, there should be an equal number of stewards, so that each ring will have at least one steward.

4. Management of the competition

Obedience competitions are under the management of the (chief) judge of the day and the chief steward. If there is more than one judge in a competition, one of the judges is appointed chief judge who will be chairman of the judging team.

If incidents occur that are not dealt with in these regulations and directions, the judge (or team of judges lead by the chief judge) decides how to proceed or how to evaluate.

5. Handler's obligations and dog's equipment

A handler's obligations as a competitor start when the handler enters the competition premises and end after the final prize-giving ceremony. Handlers must follow the rules and directions as instructed. Handlers are expected to be on their best behaviour and appropriately dressed.

The judge may disqualify a handler from the competition if he or she does not abide by the rules or behaves in an unseemly way. The judge's decision is final and no competitor shall impugn the decisions of the judge.

Handlers should report their presence in the ring 30 minutes before the competition begins.

It is forbidden to punish the dog.

Only ordinary collars are permitted.

Barbed or electric collars and other constraining devices or means such as muzzles are forbidden. This restriction goes from the start of the competition till the end.

Blankets, mantles, raincoats, shoes etc., are forbidden during the performance.

The handler should have the dog on the left side during and between the exercises. If there is a physical reason or disability, the handler is allowed to have the dog on the right side during or between the exercises. The competitor or team leader of this combination must discuss the arrangement with the referee judge before the start of the competition, however. All judges concerned must be informed and the effect this has on evaluating the performances must be agreed on if there are several judges involved. The exceptional arrangements should be justified and should not be such that they cause disturbance to other dogs and competitors. For example, if a competitor is bound to a wheelchair, he or she should, in exercises 1 & 2, be placed at that end of the line where no other dog is passed than his or her own that is, he is first in line.

6. Dog's behaviour / Disqualification

A dog that at any time during the competition (before or after its own performance) bites, tries to bite, attacks or tries to attack people or other dogs, is disqualified from the competition. All points are lost even if the performance has already been completed. In a two-day event, the disqualification is valid also for the second day and thus the dog can not compete.

The incident is noted in the dog's working book and a report must be sent to the kennel club that the dog represents and the kennel club of the arranging country.

7. Other regulations

When the competition ring is being built or has been built for the competition, a handler is not allowed to enter the competition ring together with the dog unless an authorized person (the chief steward or judge) has given permission.

In the group exercises (1 and 2), the minimum number of dogs in a group is three and the maximum six. In a competition where the number of dogs is not divisible by six, two of the groups may consist of seven dogs.

II PRACTICAL ARRANGEMENTS AND EQUIPMENT

Layout, number of competitors, size of the ring and equipment needed

1. Layout of the competition

For FCI Section and World Winner competitions as well as for all international competitions, the judge (chief judge, referee judge, chairman of the judging team) has the right, having consulted the organising committee, to decide in which order the exercises will be done during the competition and how the exercises are grouped together. The order should be the same for all competitors.

2. Number of competitors

It is recommended that a judge does not judge more than about four dogs per hour and not more than 25 dogs per day. If more than one judge is appointed, each judge judges the exercises appointed to him for all dogs entering.

3. Size of the obedience ring

The size of the obedience ring for an indoor competition should be at least 20 m x 30 m. When the competition is outdoors, the preferred size is at least 25 m x 40 m. The ring should preferably be larger. The ring can be smaller if the exercises are divided among two or more rings and those exercises requiring less space are grouped together. The ring should be clearly marked. It is up to the judge to decide whether the ring size is acceptable or not. All quantities of the exercises are approximations.

4. Equipment

It is the responsibility of the organising committee to keep the regulations and instructions available at the competition premises.

A boarded hurdle approximately 1 m wide and adjustable in height from about 10 cm to 70 cm at intervals of 10 cm is required. (Ex 8) In contrast to an agility fence the hurdle should not have side wings. See figure Ex. 8.

A sufficient number of markers and cones must be available to indicate for example the places of the start and end of the exercises, when necessary, and the places of performance such as turning sites, etc. The markers and cones should be such that they can be easily seen and the height of the cones should be of appropriate size. For example the cones for the corners of the square (Ex 6) should be approx. 15 cm. The stopping point can be indicated by a smaller cone or marker.

Charts by which the points awarded are shown must be available.

Yellow and red cards must be available, by which the judge can give a warning (yellow card) or indicate disqualification (red card).

Suitable retrieve objects:

- Three series of wooden dumbbells. Each series includes three dumbbells of equal size. Each series differs in size and weight so as to suite small, middle size and large breeds. The maximum weight of the largest is approximately 450 g. (Ex. 7)
- Metal dumbbells of three different sizes with a maximum weight of approx. 200 g for the largest. The sizes of the dumbbells available should be in proportion to the sizes of breeds (small - medium - large). The handler can choose whatever size he prefers, however. (Ex. 8)
- Wooden objects approx. 2 cm x 2 cm x 10 cm. The number of objects needed is six times the number of competing dogs. (Ex. 9)

III AWARDS

It is recommended that the colours black – red – yellow be used on ribbons and rosettes to be awarded in obedience classes. Every dog that gets a prize in obedience should be awarded a black – red – yellow ribbon.

A red ribbon is awarded to winners of 1 st prize	256 – 320 points	80 % Excellent
A blue ribbon is awarded to winners of 2 nd prize	224 – under 256 points	70 % Very good
A yellow ribbon is awarded to winners of 3 rd prize	192 – under 224 points	60 % Good

Other colours may be used according to the traditions of the hosting country.

A black – red – yellow rosette is awarded to the best 1st prize winner.

If two or more dogs end up with the same number of points and if it is desirable to have a final line-up, the results of exercises 3, 5 and 6 should be added together. If the addition gives the same results, these three exercises should be repeated.

A prize or a rosette is to be given to any dog that achieves the title international obedience champion on the day. Preferably, the colours should display the colours of obedience (black – red – yellow) and include the text “International Obedience Champion”. In addition to this the rosette may also display traditional colours indicating championship such as red and green [e.g. the basic rosette and stripes being green with the smaller rosettes on top displaying the colours of obedience (black – red – yellow)].

International Obedience Certificate CACIOB

The winning dog (with two testicles if a male) is awarded the CACIOB if it earns the first prize, and the second best dog (with similar restriction) is awarded the reserve CACIOB. For these awards to be confirmed by the FCI, the dogs have to be registered with the studbook (vs appendix to the studbook) of an FCI member or contract partner

A prize or a rosette is to be given to the dog that is awarded the CACIOB and the one awarded reserve CACIOB. Preferably, the colours should display the colours of obedience (black – red – yellow) and include the colours indicating CACIOB (white) and reserve CACIOB (orange) [e.g., a basic rosette and stripes being white (orange) and the smaller rosettes on top being black – red – yellow colour]. The text CACIOB and reserve CACIOB should also be displayed.

International Obedience Champion

To obtain the title of International Obedience Champion, the dog must earn two CACIOBs in two different countries and achieve at least the grade “Good” to an FCI international CACIB show. In addition, the dog has to be registered with the studbook (vs appendix to the studbook) of an FCI member or contract partner. There must be at least one year and one day between the two CACIOBs.

IV EXERCISES AND COEFFICIENTS

Number	Exercise	Coefficient
1	Sitting in a group for 2 minutes	3
2	Lying in a group for 4 minutes with distractions	2
3	Heelwork	3
4	Stand sit and down under march	3
5	Recall with stand and down	4
6	Send away with directions, down and recall	4
7	Directed retrieve	3
8	Jumping a hurdle and retrieving a metal object	3
9	Scent discrimination and retrieve	3
10	Distance control	4
		Σ 32

V GENERAL REGULATIONS AND DIRECTIONS FOR PERFORMING AND JUDGING THE EXERCISES

If not otherwise stated in the individual exercises, these general regulations and directions for performing and judging the exercises are applied to all exercises.

If incidents occur that are not covered in these regulations and directions, the judge decides how to proceed or how to evaluate. The judge's decision is final and no competitor shall impugn the decisions of the judge.

Points awarded

The obedience performances are graded as follows:

0 – 5 – 5½ – 6 – 6½ – 7 – 7½ – 8 – 8½ – 9 – 9½ – 10.

Disqualification leads to termination of the performance and loss of all points awarded. The dog may not continue with the remaining exercises of the competition.

Failing an exercise leads to loss of all points in the specific exercise. The dog may continue with the remaining exercises.

The yellow card indicates a warning. The judge can give a warning on the basis of the handler's or dog's actions. If the judge shows a yellow card twice disqualification follows.

The red card indicates disqualification.

The use of red/yellow cards in competitions with several judges:

1) Two or more judges in separate rings

- When two judges are judging separately (two rings, different exercises), one red card (the first) leads to disqualification.
- If one of the judges has shown a yellow card e.g. in the first ring, the other judges (second or third judge) should not be informed of this. All judges work independently. The yellow card is written down and if a yellow card is shown by a latter judge (second or third) the secretary writes it down and then informs the judge that one yellow card has been shown earlier and disqualification will thus follow. Naturally two yellow cards given by the same judge leads to disqualification as well.

2) Two or more judges in the same ring

- If one of the judges wants to warn (yellow card) or disqualify (red card) a competitor, he informs the other(s) and the matter will be decided on together. Preferably the chief judge (chairman of the judging team) will show the card, if he is in the ring.

Performing the exercises

- The judge can choose in what order the exercises are performed. The order should be the same for all competitors.
- The exercises begin and end with the dog in heel position. The heel position is defined as the sitting position at the handler's left side.
- All exercises begin when the steward has directed the handler and dog to the starting place and the dog sits in starting position and the steward has announced "the exercise begins".
- All exercises are over when the steward has announced "exercise ended".
- It is not allowed to point out places and directions to the dog before or during exercises (other than those relating to the ongoing exercise, if such are allowed). Such activity will lead to failure of the exercise.
- The dog should be on the handler's left side between the exercises. The dog does not have to be in heel position and under command, but it should be beside the handler and under control.
- If a dog leaves the ring during or between the exercises it is are disqualified.
- The handler should move normally using straight paths. Indefinite or ambiguous movement, exaggerated gestures, signals or body language and unnatural movements of the extremities are penalised. Turns and turnabouts should be 90° and 180 ° and after turnabouts the handler should return approximately using his original path.
- The handler must leave the dog's leash outside the ring or at the steward's table. This applies to all exercises.
- The commanding words given in these regulations are recommendations. Other sufficiently short words are acceptable. The dog's name may be combined to the command in the exercises mentioned. The name and the command have to be tied closely together so that the name and command do not give an impression of two separate commands.
- Tit-bits or playing tools such as balls or toys are not allowed in the ring, neither during nor between exercises. If the judge observes that a competitor has or uses tit-bits or playing tools in the ring, he or she will be disqualified.
- The handler is not allowed to touch the dog or stroke it or give other forms of encouragement during the exercises. Such behaviour will result in failure of the exercise. Slight encouragement (e.g., saying "well done" or giving one or two gentle pats) is allowed after the exercise has been completed.

In the case of excessive encouragement, enthusiastic inspiring, playing around, jumping into the arms of the handler, threading around the handler's legs, etc., the judge will warn the competitor by showing a yellow card. In the case of a second incident the judge shows a red card and the dog is disqualified.

- The judge has the right to halt an exercise if the dog shows obvious incapability or unwillingness to perform it. Such an exercise is failed.
- The judge has the right to bar a dog from further participation in the competition if it isn't functioning properly or if it is causing disturbance by continuous barking or whining. In case of barking or whining the judge can give a first warning with the yellow card. If the behaviour continues the judge will disqualify the dog and show the red card. The same holds for continuous disturbance by barking or whining between exercises.
- If the dog leaves the handler during an exercise (interrupts the exercise) and is out of control, the handler may call the dog once without leaving his or her position. If the dog returns to the handler on the first command, the judge will show a yellow card and the exercise is failed, but dog and handler can continue with the next exercise. If the dog does not return on the first command, dog and handler are disqualified. If the dog leaves a second time, disqualification follows.
- If the dog leaves the handler between exercises the handler may call his dog once without leaving his position. If the dog returns the judge will show a yellow card. If the dog does not return or if it leaves a second time, disqualification follows.
- In the recall exercise (Ex. 5) the dog is allowed to come and sit in front of the handler. The dog must then, on command (after permission from the steward), quickly take its heel position, passing the handler very closely.
- In all retrieving exercises (Ex. 7, 8 and 9), the dog is allowed to sit in front of the handler and there deliver the object on command (after permission from the steward). The dog must then, on command (after permission from the steward), quickly take its heel position, passing the handler very closely.
- In the retrieving and recall exercises, the judge does not need to know how it was intended that the exercise be performed with regards to taking the heel position directly or after sitting in front. If the exercise is elegantly performed, full points can be awarded regardless of what was intended.
- In exercises where commands or signals are allowed, the handler must inform the judge before the exercise commences if signals will be used. This is not necessary if both commands and signals are allowed.
- The command "Stay" is allowed in exercises in which the handler leaves the dog or turns away from the dog (Ex 1 & 2 & 5 & 9 & 10). The command "heel" is allowed if the dog is to follow the handler.

- Hand signals are never allowed when the dog is beside the handler (heel position).

Judging the exercises

- Judging of an exercise starts when the handler and dog have taken their position (dog in heel position) at the starting point and the steward says “exercise starts”. Judging of an exercise ends when the steward has announced “End of exercise”.
- All deviations from the ideal should be penalised: all extra commands, double commands, body language, deviations at heel position, deviations from parallel movement, etc.
- A general rule is that, for a second command, 2 points should be deducted and a third command fails the exercise (or a part of it). In exercises 6 (directing commands) and 10 (distant control commands) 1-2 points are deducted for a second command. See the directions of these exercises.
- A dog that barks, even occasionally in an exercise, should be penalised. Not more than 7 should be awarded in the case of occasional barking, and if the dog barks extensively or continuously the exercise is failed. If the barking is continuous and is repeated in several exercises the performance is disqualified. The same holds for whining.
- If the handler takes steps when giving commands, the exercise is failed.
- If a dog anticipates the command when starting the exercise, i.e. does not keep the heel position properly, not more than 8 points can be awarded.
- If the dog leaves the handler after the exercise has started but before the command of the handler, the exercise is failed. There is no possibility to recall.
- All punishment of the dog, leads to disqualification.
- If the handler touches the dog during the exercise, the exercise is failed. This may lead to a warning. If touching the dog during or between exercises, can be interpreted as punishment, dog and handler are disqualified.
- Controlling the dog by the collar between exercises leads to a warning (yellow card).
- If a dog touches the handler (slightly, lightly) in the recall or retrieving exercises when sitting in front of the handler, 1-2 points should be deducted. If it bumps into / collides with the handler, not more than 7 points should be awarded.
- In judging speed, the breed should be taken into consideration. The ideal for all breeds is not the same. When a dog reacts on the commands instantly and willingly, moves typically to his breed, keeps his pace and shows an interest in what he is doing, he should be awarded with full points if there are no lowering mistakes.

- Barking or whining during the exercise must always be penalised, even if there is only one very short bark in the beginning of the exercise (maybe expressing enthusiasm), at least 1 point should be reduced.
- If the dog does not sit calmly beside the handler at the start of an exercise, not more than 8 points can be awarded.
- If a dog does not take its heel position (sit) at the end of an exercise not more than 7 points can be awarded.
- If the dog relieves itself during an exercise or between exercises it is disqualified.

VI EXERCISES IN THE INTERNATIONAL OBEDIENCE CLASS

Rules and instructions for the performance and judging of the exercises

EXERCISE 1 – Sitting in a group for 2 minutes.

Commands: “Sit”, “Stay”

Performance: The dogs are sitting in heel position in a row at approx. 3 metres distance from each other. When told, the handlers leave the dogs and walk out of sight of the dogs and stay hidden for 2 minutes. When 2 minutes have elapsed, the handlers are instructed to walk back into the ring and take a standing position inside the ring. The handlers are then told to walk up beside their dog so that the dog is in heel position. There should be at least three dogs in a group, but not more than six.

Directions: A dog that stands up, lies down or moves/creeps more than its own body length gets 0 points. All moving reduces points. If the dog barks 1-2 times, 1-2 points are withdrawn; if it barks most of the time, the exercise is failed (0 points). Restlessness, such as shifting weight from one side or one foot to another, should be penalised. The dog is allowed to turn its head and look around, and it is allowed to show interest if there is distraction or noise inside or outside the ring. This, however, should not give an appearance of restlessness or anxiety. If the dog lies down or stands up after the two-minute period is over and the handler has already reached the inside of the ring, not more than 5 points can be awarded. If a dog stands up and goes close to another dog, so that there is fear for a fight, the exercise must be stopped and then resumed for all dogs except the dog that caused the disturbance.

It is recommended that the area outside the ring in front of the dogs is a closed area (no outsiders besides personnel are allowed) during this exercise. In the SW and WW competitions this arrangement is obligatory.

EXERCISE 2 – Lying in a group for 4 minutes with distractions

Commands: “Down”, “Stay”, “Sit”

Performance: The dogs are sitting in heel position in a row at approximately 3-metre distance from each other. The lying down on command from heel position is performed one by one. The dogs should be commanded to lie down from left to right and to sit up from right to left so that the first to lie down is the last to sit up and vice versa. The steward tells when to give the command. The handlers walk out of sight of the dogs together and stay hidden for 4 minutes. The dogs stay lying down and are subjected to distractions, for example a person weaving between the dogs. When 4 minutes have elapsed, the handlers are instructed to walk together back into the ring and take a standing position approximately 3 metres behind their dog. The handlers are then instructed to walk up beside their dog and told, one by one, to command their dog to heel position. There should be at least three dogs in a group but not more than six.

A loud command may disturb the others and will be severely penalised.

Directions: A dog that fails to lie down, stands up or sits while the handlers are out of sight, or crawls more than its own body length or lies on its back, fails the exercise (0 points). All movement should clearly reduce points. If the dog barks 1-2 times, 1-2 points are deducted; if it barks most of the time, the exercise is failed (0 points). Restlessness, such as shifting weight from one side to another, should be penalised. The dog is allowed to turn its head and look around, and it is allowed to show interest if there is distraction or noise inside or outside the ring. This must not give an appearance of restlessness or anxiety, however. If a dog stands up and goes close to another dog, so that there is fear for a fight, the exercise must be stopped and then resumed for all dogs except the dog that caused the disturbance.

If the dog reacts (lies down or sits up) before the handler's command (e.g. on a neighbour's command), not more than 8 points can be awarded. If the dog has reacted too early, it should remain in its position (lying down or sitting up). Failing to do so at the beginning of the exercise leads to failing the exercise. At the end of the exercise an independent sitting up and going down again leads to max 5.

No more than 7 points can be awarded if a dog lies on its side (flank) or fails to sit up.

If the dog sits or stands up after the four-minute period is over and the handler has already reached the inside of the ring, not more than 5 points can be awarded.

It is recommended that the area outside the ring in front of the dogs is a closed area (only personnel are allowed) during this exercise. In the SW and WW competitions this arrangement is obligatory.

EXERCISE 3 – Heelwork

Command: "Heel"

Performance: Heelwork is tested at different speeds in conjunction with directions, turns and turnabouts. The unleashed dog should willingly follow the handler, walking on the handler's left side, with the shoulder level with the handler's left knee and following the handler in a parallel line. The handler should move his arms and feet in a natural way during the exercise.

Heelwork shall be tested in normal, slow and quick pace together with turns, turnabouts and halts. The handler can choose to do the turnabouts to the left or the right. The "German turnabout" is equally acceptable, i.e., the dog is allowed to circle around the handler on the right side, but very tightly. The dog must also be tested when the handler moves two or three steps in different directions from standing position, and when the handler makes turns and turnabouts from the standing position.

The handler should, when making a turnabout (180° turn), return approximately along the same line that he came. Turns to the left and right should be right angles (90°). The handler should not turn his head, should not twist his shoulders and should not use body language when taking side steps.

The heel command may be given at every start, when changing speed, when taking steps in different directions from standing position and at turns and turnabouts from the standing position. When the handler stops, the dog shall take the heel position immediately and without command.

All dogs in one test or competition should do the heelwork according to the same scheme.

Directions: A dog that leaves the handler or follows the handler at a distance of more than half a metre during the major part of the exercise is failed. If the dog moves slowly, only 6-7 points should be given. Lack of contact and extra commands are mistakes. An imperfect direction (not parallel) of the heel position should result in loss of about 2 points. Slowing down and stopping before, during or after turns are penalised. A dog that walks so near to the handler so that it disturbs or hinders the handler should be penalised, even more if the dog leans or touches the handler.

EXERCISE 4 – Stand, sit and down under march

Commands: “Stand”, “Sit”, “Down”, “Heel”

Performance: The exercise is performed according to the enclosed figure. Under the march the handler commands, on instruction of the steward, the dog to a standing, sitting and down position. The pace should be normal pace. There should be a left turn and a right turn. The turning points (left/right) should be marked with small cones. The order of the positions and the order of turning left and right, may vary, but should be the same for all dogs of a competition.

The steward will instruct the handler when to start, when to command the dog and when to turn around. The stops will be approximately at the middle (5 m) of the 10 meter line segment. The handler continues to walk 5 m (approximately to the next turning point), turns around on command of the steward, continues to walk towards his dog, passes his dog at a distance of approx. 0,5 m leaving the dog to his left, continues to walk for approx. 2 m, turns around on command of the steward and walks up towards his dog. Upon reaching his dog, the handler gives the heel command without stopping. They continue to the next turning point (5 m), turn left/right, and on to the middle of the next segment line. The exercise continues similarly as the first phase of the exercise. The exercise ends when the steward has given a stop command and announced “end of exercise”.

The stand, sit and down positions should be parallel to the imaginary lines connecting the starting/turning/ending points. The distance between dog and the turning points should be approx. 0,5 m taking into consideration the size of the dog. The corners should be 90°, not rounded off. The handler and dog should pass the corner cones from the right side leaving them on the left side.

Directions: If the dog stops once in a wrong position (e.g. sitting instead of down) or if the dog misses one position (does not stop in the correct position within one body length) not more than 7 points can be awarded. If the dog needs a second command for stopping or taking the correct position, the position is failed.

If the dog fails to stop at any of the positions, i.e. has not stopped before the handler has turned around the exercise is failed. If the dog follows the handler, after a stopping (“stand-sit-down”) command, one extra command can be used in order to stop the dog. If the dog stops before the handler has reached the next turning point, the exercise can be continued, but not more than 6 points can be awarded.

To get any points for a given position the dog should not move more than one body length after the command, and take the commanded position (stand, sit, down) before the handler has reached the turning point. To get points for the exercise, at least two positions must be performed. In judging, attention should also be paid to the heelwork. Moving slowly, bad heelwork, changing pace, rounded corners and not keeping the correct course (parallel to the imaginary connecting lines) are mistakes.

No extra commands are allowed on the positions. If the dog takes the wrong position and the handler notices it, the handler should not give an extra command. This position is lost anyway. Double commands and body language are penalised severely.

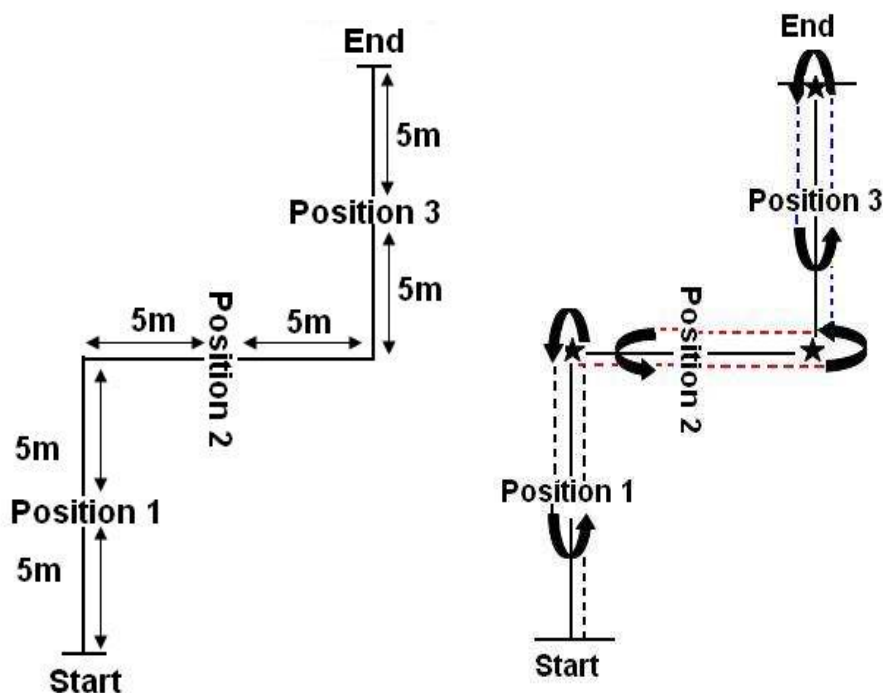


Figure for the performance of exercise 4

EXERCISE 5 – Recall with stand and down

Commands: “Down”, “Stay”, “Come” (3 times), “Stand”, “Down” OR hand signals.

Performance: The dog is placed in down position and the handler walks approx. 30 – 35 m in the indicated direction. On permission from the steward, the handler recalls the dog.

The handler orders the dog to stand when the dog has covered approx. one third of the distance. When told, the handler recalls the dog again. Having covered approx. two thirds of the distance, the dog is ordered to lie down. After the second stop and on permission from the steward, the handler calls the dog to heel position. The steward tells the handler only when to recall the dog. The handler gives the stop commands independently at the markers (cones). Oral commands and hand signals may be mixed so that an oral command may be used at one position and a hand signal at another, but not simultaneously. The dog’s name may be combined with the first recall command, but name and command must be well combined together and may not give the impression of two separate commands.

Directions: It is important that the dog responds willingly to all recall commands. The dog should move at good speed and keep its pace, at least a fast trot. Slow movement is a mistake. The breed should be taken into consideration in judging the speed. The dog should at once, on command, begin its stop. When evaluating the stop, the speed of the dog should also be considered. There can be some tolerance on the actual stopping for fast dogs, but not for slow dogs. To get full points (for a stop) not more than one body length can be exceeded from the time of command to the stop. To obtain any points (for a stop) not more than 3 body lengths can be exceeded. If more than 3 recall commands are given, the highest score is 6. A third recall on a single position results in failure of the exercise.

If the dog misses one position (i.e., does not stop within the limit) no more than 6 points can be awarded. If there is no attempt to stop at one of the positions, not more than 5 points can be awarded. If the dog fails to stop at both positions, or takes the positions in an opposite order, the exercise is failed. If the dog stops once in a wrong position not more than 7 points can be awarded. If the dog sits or stands up before the first recall command, not more than 7 points can be given. If the dog moves more than one body length before the first recall command, the exercise is failed.

EXERCISE 6 - Send away with directions, down and recall

Commands: “Forward”, “Stand”, “Right/left” and/or arm signal, (“Stop”), “Down”, “Come”.

Performance: The dog is sent to a cone (small, preferably a half sphere) approx. 10 m from the starting point and is commanded to stand at the cone. The dog should take its stand position within a circle of 2-meter radius drawn visibly about the cone. After approximately 3 seconds, the handler is told to direct the dog to a 3 m x 3 m square at approx. 25 metres distance from the starting point. The square, as well as the circumference of the circle should be situated not less than approx. 3 meters from the ringside border. Cones (appr. 10 - 15 cm) mark the square at each corner. Visible lines (e.g., tape, chalk lines) should connect the cones on their outer side. When the dog reaches the square, the handler commands the dog down.

When told, the handler walks towards the dog. Approximately 2 m from the dog, the handler is told to turn, and after approx. 10 m to turn again and walk towards the starting point. After another 10 m the handler is told to recall the dog while continuing to walk towards the starting point.

The dog should move in a straight line to the cone and to the square and should enter the square from the front. The angle between the connecting lines of the starting point and the cone, and between the cone and the middle of the square should be 90°.

See Figure in Chapter VI.

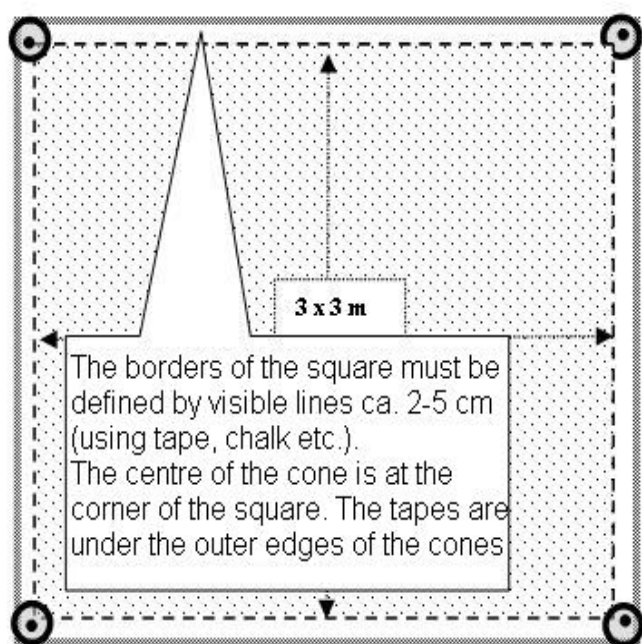
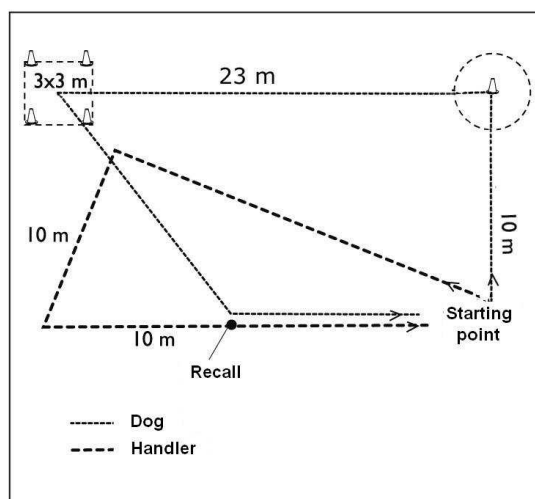
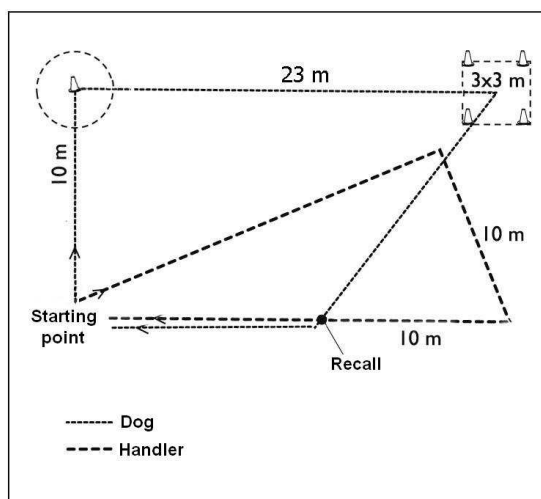
Directions: The dog's willingness to follow directions and commands, the dog's tempo and straight routes should be emphasised. To get 10 points, the handler should not use more than 6 commands during this exercise, the sixth command being a stop command in the square. The dog must follow the commands (e.g., if a stand command is given in the square). An option is to use only the down command when the dog has entered the square and thus use only five commands.

If the dog acts on his own, this is penalised. This means that for example the "stand" command by the cone and "down" command in the square have to be given. If the handler moves forward (takes steps in any direction) while giving the commands, the exercise is failed (0 points). If there is excess action (body language) from the handler, not more than 8 points should be given. The dog should have all four feet within the circle before the handler is told to direct the dog to the square. A dog that takes a sitting or down position by the cone should not be awarded more than 8 points. If the dog sits or lies down outside the circle or if the dog lies down outside the square the exercise is failed. If the dog is already down, no redirecting command is allowed. To get points, the dog may not be outside the markings of the square, except for the tail.

The exercise is failed if the dog rises to sit or stand before the handler's second turn. Not more than 5 points can be awarded if the dog rises (to sit or stand) after the handler's second turn before it is recalled. If the dog moves in the square without rising, not more than 7 points can be awarded. If it moves and crosses the border before recall, the exercise is failed. If the dog moves very slowly, only about 6 points should be given.

A second recall, stop or down command is penalised (- 2 points/command). The exercise is failed if even one of these commands has to be given a third time. The penalty for extra directing commands depends on their strength and the dog's willingness to obey the commands, thus the penalty can be 1-2 points.

It is not allowed to show the dog directions at the starting point or to show the square to the dog before the exercise. These lead to failing the exercise.



Figures for the performance of exercise 6.

The quantities are approximations and not in proportion. The distance between the starting point and the middle of the square is 25 m and thus the distance between the cone and the middle of the square is 23 m. The angle between the connecting lines of the starting point and the cone, and between the cone and the middle of the square is approximately 90°. The distance of the borders of the square and the circumference of the circle should be at least 3 m from the ringside borders.

EXERCISE 7 – Directed retrieve

Command : “Forward”, “Stand”, “Right/left” and/or arm signal, “Retrieve”, “Release”

Performance : Three wooden dumbbells are placed in a row approx. 5 m apart from each other so that they are easily seen. The starting point is approx. 20 m from the central dumbbell. The dog is sent to a cone situated approx. 10 m from the starting point. The dog is commanded to stand at the cone, within about 2 m distance from it. After about 3 seconds, the handler is told to direct the dog to either the right or the left dumbbell, determined by draw, and the dog should retrieve and deliver it correctly.

The steward places the three dumbbells after it has been determined by draw, which one is to be retrieved. (The central dumbbell is never drawn.) The dumbbell that is drawn (left or right) is always set down first. During this procedure the handler and the dog stand at the starting point facing the central dumbbell at a distance of approx. 20 m.

Three sizes of dumbbells (max. about 450g), suitable for different breeds, should be available. The sizes of the dumbbells should be in relation to the sizes of the breeds, but the handler is free to choose the size.

Directions: Emphasis should be on the dog's willingness to follow the directive commands, the dog's tempo and its taking the shortest way to the correct dumbbell. Showing the dog directions at the starting point will be judged as touching the dog and lead to failing of the exercise. To obtain points for this exercise, the dog should stand at the cone within a circle of a radius of 2 m drawn about the cone. A dog that lies down or sits at the cone cannot get more than 8 points. If the dog picks up the wrong dumbbell, the exercise is failed (0 points).

The penalty for extra directing commands depends on their strength and the dog's willingness to obey the commands. The penalty for other extra commands should be congruent with the general directions and with exercise 6.

Dropping the dumbbell:

If the dog drops the dumbbell, but picks it up on its own initiative, not more than 7 points can be awarded. If an extra "retrieve" command has to be given before the dog picks up the dropped dumbbell, the maximum is 5 points. If the dog drops the object beside the handler and the handler picks it up without taking a step, 5 points can be awarded presuming the dog takes the heel position correctly. If the object is dropped, due to the handler's carelessness after the release command, not more than 7 points can be awarded.

Chewing or biting on the dumbbell

Chewing or biting on the dumbbell is penalised by a reduction of 2-3 points. If chewing is extensive not more than 5 points can be awarded. Very extensive chewing or breaking the dumbbell results in failing the exercise (0 points). No penalty should be given, however, if the dog once takes a better grip on the dumbbell.

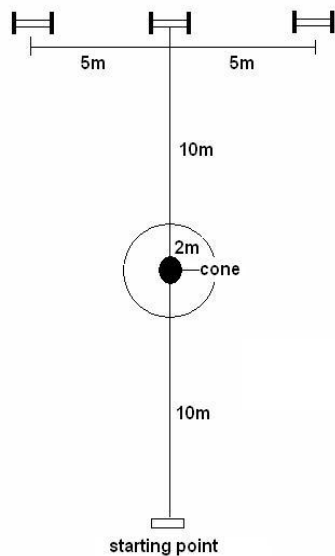


Figure for the performance of directed retrieve (Ex 7). The dumbbells should be placed at least 3 m from the ringside borders.

EXERCISE 8 – Jumping a hurdle and retrieving a metal object

Command : “Jump” and/or “Retrieve” and “Release”.

Performance : The handler is placed in front of a hurdle approx. 3 m from the hurdle, with the dog in heel position. The handler throws a metal dumbbell over the hurdle. When instructed, the handler commands the dog to jump over the hurdle, retrieve the dumbbell and jump back. Either or both of the commands “jump” and “retrieve” may be given. If given, the “retrieve” command should not be given later than when the dog starts his jump. Three different sizes (and weights) of metal dumbbells, in proportion to the sizes of the dogs, must be available,. The maximum weight of the largest dumbbell is approx. 200 g. It is, however, the handler’s choice which dumbbell he or she selects, regardless of the size the dog. The hurdle should be 1 m. wide and approximately as high as the dog at the withers, rounded to the nearest 10 cm. The hurdle height should never be more than 70 cm.

Directions: If the dog touches the hurdle even slightly when jumping, the maximum score is 8 points. If the dog supports itself on the hurdle or if it does not jump back, the exercise is failed.

Dropping the object (dumbbell):

If the dog drops the object, but picks it up on its own initiative, not more than 7 points can be awarded. If an extra “retrieve” command has to be given before the dog picks up the dropped object, the maximum is 5 points. If the dog drops the object beside the handler and the handler picks it up without taking a step, 5 points can be awarded presuming the dog takes the heel position correctly. If the object is dropped, due to the handler’s carelessness after the release command, not more than 7 points can be awarded.

Chewing or biting on the object

Chewing or biting on the object is penalised by a reduction of 2-3 points. If chewing is extensive not more than 5 points can be awarded. Very extensive chewing or breaking the object results in failing the exercise (0 points). No penalty should be given, however, if the dog once takes a better grip on the object.

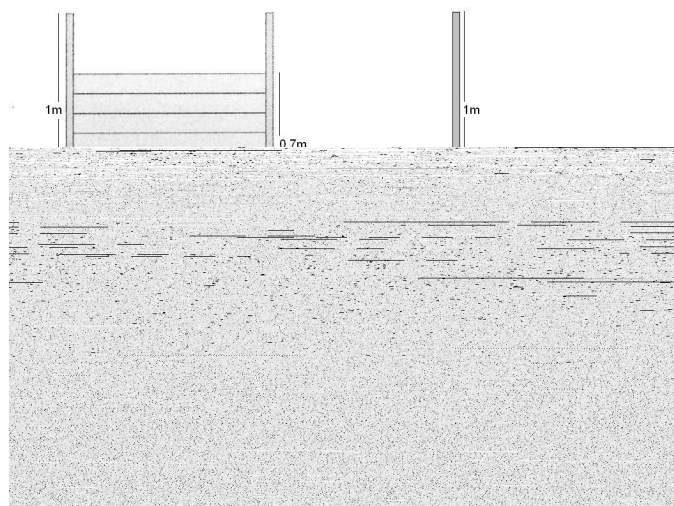


Figure for the recommended the construction of the hurdle (Ex 8). The height of the side bars is not defined. For example from 0,7 - 1 m is suitable. The distance between the side bars is appr. 1 m.

EXERCISE 9 - Scent discrimination and retrieve

Commands: (“Stay/heel”), “Seek/retrieve”, “Release”

Performance: At the starting point of the steward gives the handler a wooden retrieve object (10 cm x 2 cm x 2 cm), which the handler marks using a pencil or ball point pen (with his or her start number). The exercise starts when the steward hands over the object. The handler can keep the marked object in his/her hand for altogether approx. 5 sec. The dog is not allowed to touch or scent the object at this stage. The steward tells the handler to hand over the object to the steward and then tells him to turn around. The handler decides whether the dog does or does not see when the objects are positioned. Heel or stay commands are allowed. The steward walks to place the handler’s object, without touching it, together with 5 similar objects on the ground or floor at a distance of about 10 metres from the handler. The steward places the other five objects by hand and thus touches them. The objects are placed in a circle or horizontal line at a distance of approx. 25 cm from each other. The handler is then told to turn around and to command the dog to retrieve the marked object. The dog should find the handler’s object, retrieve it and deliver it to the handler in accordance with the general directions.

The objects should be placed in the same pattern for all competitors, but the position of the handler’s object may vary. In case of a horizontal line the handler’s object should not be in an outside position, however

The dog should be allowed to work approximately half a minute if the working is active and goal driven. There should be six new objects for each competitor.

Directions: Emphasis should be on the dog's willingness to work and its speed. The exercise is failed, if the dog is allowed to scent or touch the object before it is handed back to the steward, if commands are given when the dog is at the objects, or if the dog picks up the wrong object.

Failure is not caused if the dog scents the objects when seeking for the correct one.

Dropping the object (dumbbell):

If the dog drops the dumbbell, but picks it up on its own initiative, not more than 7 points can be awarded. If an extra "retrieve" command has to be given before the dog picks up the dropped dumbbell, the maximum is 5 points. If the dog drops the object beside the handler and the handler picks it up without taking a step, 5 points can be awarded presuming the dog takes the heel position correctly. If the object is dropped, due to the handler's carelessness after the release command, not more than 7 points can be awarded.

Chewing or biting on the dumbbell

Chewing or biting on the dumbbell is penalised by a reduction of 2-3 points. If chewing is extensive not more than 5 points can be awarded. Very extensive chewing or breaking the dumbbell results in failing the exercise (0 points). No penalty should be given, however, if the dog once takes a better grip on the dumbbell.

EXERCISE 10 – Distance control

Commands: "Down" "stay", "Sit", "Stand", "Down" and /or hand signals.

Performance: The dog is set in down position at a predetermined place. When instructed, the handler leaves the dog and moves to an assigned place approx. 15 m from the dog. The dog should change positions 6 times (stand/sit/down) and remain in its original place. The order of taking the positions can vary, but should be the same for all competitors. Each position should be done twice and the last command for changing position should be "down". The steward shows the handler, with written signs or drawings, in which order the dog should change position. The steward should not be able to see the dog when displaying the instructions. The steward should change the sign about every 3 seconds. The handler may use both voice commands and hand signals, but they must be short and used simultaneously. A boundary is in back of the dog marked by an imaginary line connecting two markers.

Directions: Emphasis should be on how much the dog moves, the speed at which positions are changed, the clearness of the positions and how well the positions are held. To any get points, the dog should not move in total more than its body length from the starting point (in any direction). Back and forth movements are summed. If the dog misses one position of the six, not more than 7 points should be given. However, if the dog jumps over one position and takes the next position, the exercise is failed. The dog has to change position on command at least 5 times to get points.

If the dog sits before the handler returns, not more than 8 points should be given. Extensive use of voice and exaggerated or continuous hand signals are penalised.

Not more than 8 points can be achieved if the dog has to have two commands on a position change. Disobeying a second command on a position leads to missing this position. The first extra command on a position is thus -2 points and the next ones -1 point.

It is possible to get points for this exercise even if 3 – 4 of the positions have been achieved only after an extra command, if the extra commands are obeyed immediately, and lead to good, clear positions and the exercise is otherwise excellent.

VI ARRANGING AND JUDGING FCI SECTION AND WORLD WINNER CHAMPIONSHIPS

In case of a possible complaint against the judging during Section and World Winner championships any decision made by the judges who judged the dogs in question is final and undisputable.

1. Annual Winner Championship

Only one annual FCI Winner championship is arranged per section, either a World Winner (WW) or Section Winner (f. ex. European Winner, EW) championship. The competition is preferably arranged in connection with the FCI Section or World Dog Show. If the World Dog Show is in a particular section, there will be no Section Winner championship for this particular section.

The FCI Obedience Commission will deal with matters that are exceptions to the principles mentioned above and with other questions that have not been dealt with in these regulations for SW and WW competitions. Such matters can be for example when and where to arrange a Winner Competition if the FCI Section or World Winner Dog Shows are not able to provide the premises or the work contribution.

2. General layout

The relevant rules and directions of the international obedience class must be followed.

The SW and WW championship in obedience for national teams and individuals is a three-day event running from Friday till Sunday. The first two days (Friday and Saturday) are for the team competition. The team competition is a qualifying competition for the individual SW or WW as well. The third day (Sunday) is for the individual final. An additional day (Thursday) is reserved for training, judges' meetings, information, etc.

The team competition is held in two rings and the exercises are divided between the two rings. There will be two judges in both rings all representing different countries. The result will be the average of the two judges' grades.

The final for the individual SW /WW championship title is on Sunday and all four judges will operate. The highest and lowest points are excluded and the average of the two middle ones will remain.

The 20 best competitors from the team competition (qualification) will continue to the final. The starting order in the final will be decided by drawing. The individual winner will be the competitor with the highest total score in the final.

Bitches in season should perform last both in the qualification and in the final.

It is possible to extend the competition by one day (Thursday), if the number of entries rises in the future. The Obedience Commission will decide on this when necessary.

3. Judges

Judges at FCI Section (SW) and World Winner (WW) championships must have a broad experience in judging obedience. Preferably they should have the status of international judge. They must understand and speak one of the FCI languages (English, French, German, Spanish) fluently and have a sufficient mastering of English. All commands and instructions at Section and World Winner championships must be given (by the steward) in English.

All judges in an SW or WW championship are to be invited in consultation with the FCI Obedience Commission.

The judging team at EW and WW (in Europe) championships consists of four judges: two from central or southern Europe and two from the Nordic countries. One of the four judges is appointed chairman (chief judge) for the judges' team.

A fifth judge can be invited as chief judge i.e. chairman of the judges' team. The chief judge should preferably be from the host country. The fifth judge will not participate in judging the exercises, but should have the same competence as the other judges.

The chief judge is the chairman of the judging team and acts as chairman for the judges' meeting and for any meetings arranged with the team leaders or competitors. The chief judge is the contact person between the judges and the organising committee of the competition. The chief judge, together with the chief steward, is responsible for the arrangements of the competition.

The chief judge, after consulting the other judges, approves the practical arrangements for the competition and decides whether it is necessary to repeat or terminate an exercise e.g., due to technical problems, excessive disturbance, or if a dog is not functioning.

The chief judge gives the press permission to take pictures or films and decides where the press can stand without causing disturbance to the dogs. The press is not allowed in the ring.

Ineligibility due to the likelihood of bias

Judges are not permitted to judge family members as handlers, or dogs owned by themselves, family members or relatives such as children, parents, grandparents, grandchildren, brothers, sisters or in-laws. Neither are they allowed to judge household members or residents of their household.

If a judge has bred a dog or had a dog for training, or if a dog has been living in the judge's household within one year of the competition he or she can not act as judge in this competition.

It is recommended that the competitor has the priority and another judge should be invited if ineligibility to judge has arisen. It is usually a unique opportunity to compete for a World Championship / Section championship and this should thus be promoted.

Matters of ineligibility should be dealt with within two weeks of the latest entry date.

4. Stewards and personnel

For FCI Section and World Winner competitions in Obedience, there should be a sufficient number of qualified personnel. It is recommended that there is one chief steward and preferably at least two stewards per ring: one to help inside the ring and one to call for the competitors and deal with other matters outside the ring. If two stewards are conducting exercises in the same ring, the same steward should conduct the same exercises for the competitors.

A sufficient amount of other personnel should be available: secretaries to write down the results, clerks to calculate results and display them, etc.

Judges, stewards and ring personnel should dress appropriately to the prestige of the competition.

5. Number of competitors, eligibility to compete and represent a country

The minimum age of handlers in SW & WW championships is 15 years.

Only the official representatives of a country may enter. All entries must be sent by the kennel club of the representative and the kennel club must be affiliated with the FCI.

Only dogs registered with the studbooks (or the “waiting list” or “appendix”) of the FCI members and contract partners or registered with a non member organisation whose studbook is, however, recognised by the FCI, will be allowed to compete in the FCI Section and World Winner championships.

The number of entries per day is not to exceed 50, i.e. altogether 100 competitors can compete during two days.

Each country may enter a national team including six competitors. Two reserve dogs can be appointed. All competitors must be appointed beforehand. It must be clearly indicated which are the reserves and their ranking order. Reserves are allowed to compete if there are less than 100 entries. Each country will be allowed to enter additional competitors on the basis of the results of the SW /WW team results of the previous year.

The extra competitors should be notified as soon as possible if they are allowed to compete or not; no later than two weeks from the last day for announcing entries.

A reserve can replace a team member if the dog or handler is taken ill before the competition begins. Once the competition is under way a replacement can be made only if a vet or doctor verifies the illness of handler or dog. Once a dog has started its exercises, the reserve can under no circumstances take its place.

The team results are calculated on the basis of the qualification competition and will include the results of the three best competitors.

The kennel clubs should submit their ranking lists so that the preference of the extra dogs is available to the organising committee.

Eligibility requirements for members of a national team at FCI events:

The effective FCI requirements for handlers/owners and dogs to compete for a national team have to be followed.

Owner

Must have the nationality of the country for which his/her dog will compete or must have his/her legal residence for a minimum of 12 months in the country for which his/her dog will compete

If the owner has a double nationality, he/she can choose either country without any restriction. If difficulties arise, they must be referred to the FCI General Committee for final settlement

Dog

Must have been registered with the studbook of the country for which it will compete for a minimum of 12 months.

Handler

No matter his/her nationality, the handler will not be allowed to compete for more than one country and will be authorized to handle a maximum of 4 dogs.

Any difficulties that arise should be referred to the FCI General Committee for settlement.

6. Information on special regulations of the host country

The host country must clearly indicate on the entry form any special regulations or restrictions of the country regarding participation in competitions or entering the country. The detailed information should be unambiguous and generously available.

These rules are effective from January 1st 2011. They were approved by the FCI General Committee, in Madrid, on February 24th, 2010.